

MANUAL PULSE GENERATOR

LGT Series



● Outer Diameter 60mm ● Dial Diameter 58mm

Model Name

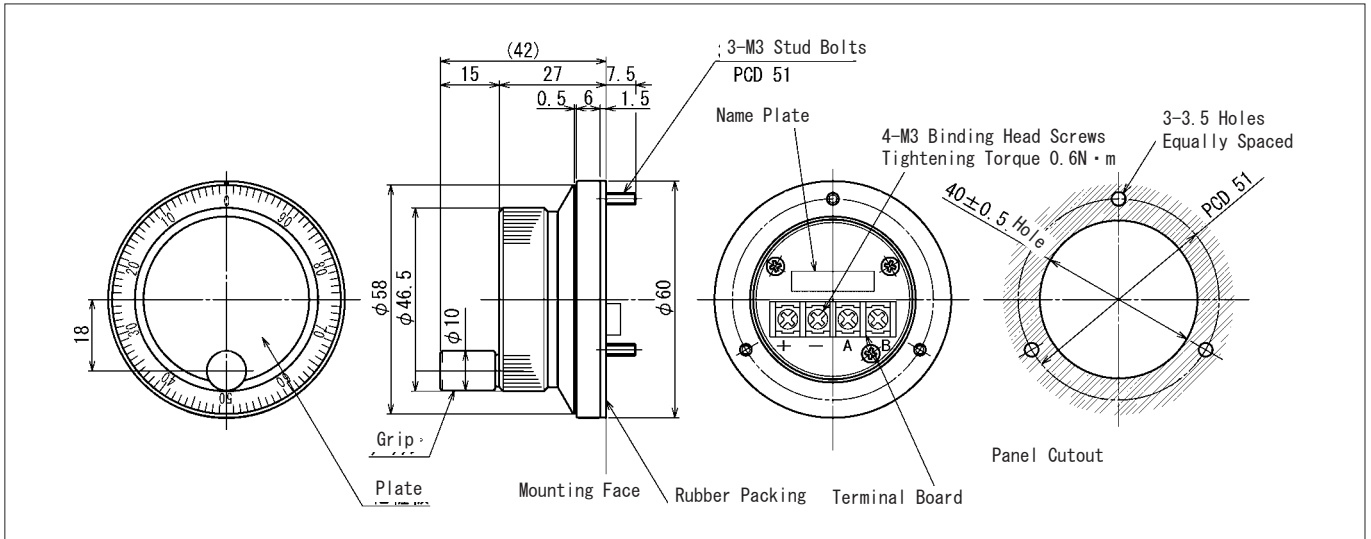
LGT — XXX — 100

Model

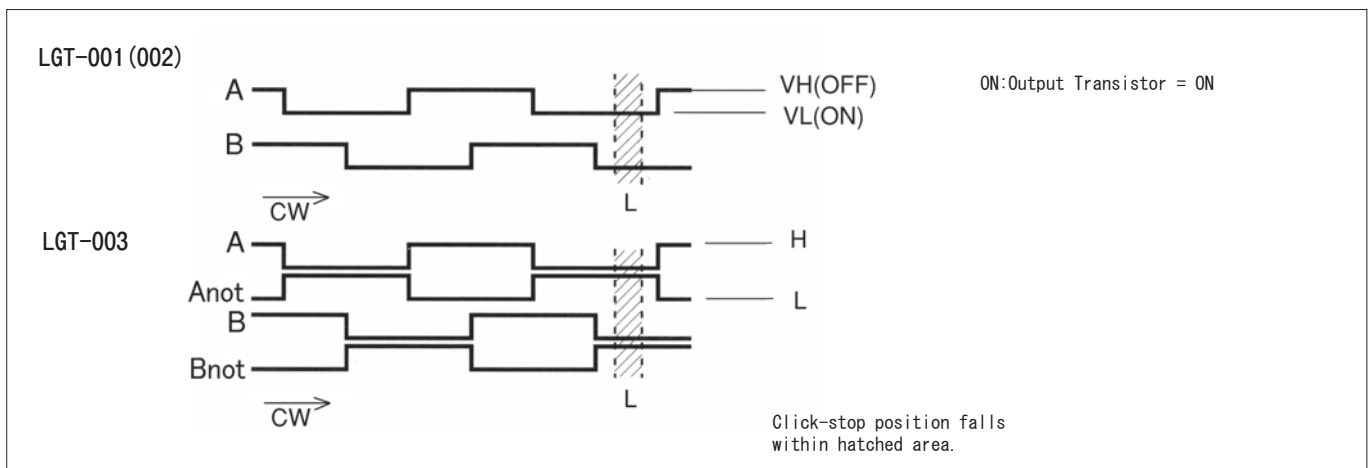
Function Number

Output Pulse (P/R)

■ Dimensions



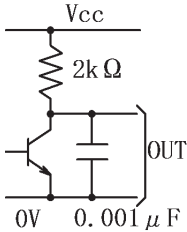
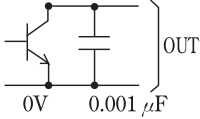
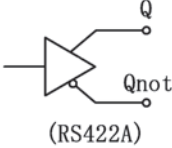
■ Output Signals



■ Wire Connection

Mark	+	-	A	B	\bar{A}	\bar{B}
LGT-001 LGT-002	5~15V	0V	A	B	—	—
LGT-003	5V	0V	A	B	Anot	Bnot

Electrical Specifications

Item/Model	LGT-001	LGT-002	LGT-003
Output Pulse(P/R)	100		
Supply Voltage (Vcc)	4.5V-16V	4.5V-16V	5V±0.25V
Supply Current (No load)	≤60mA	≤60mA	≤160mA
Output Type	Voltage	Open Collector	Line Driver
Output Circuit			
Output Voltage	H	≥Vcc×0.7V	≥2.5V
	L	≤0.5V	≤0.5V
Output Current	≤35mA	≤35mA	±20 mA
Max. Applied Voltage	—	50V	—
Rise Time	5 μs (Typ)	5 μs (Typ)	≤100ns
Fall Time	5 μs (Typ)	5 μs (Typ)	≤100ns
Response Frequency	0~5 k Hz	0~5 k Hz	0~5 k Hz
Insulation Resistance	≥20MΩ	≥20MΩ	≥20MΩ

LGT Series

Mechanical Specifications

Mech. Perm. Speed	≤200 min ⁻¹	Momentary Maximum : 600 min ⁻¹
Starting Torque	0.015-0.1 N·m	at +25°C
Dial Click Life	10 ⁶ turns	≤200 min ⁻¹
Mass	Approx. 0.18 kg	

Environmental Specifications

Operating Temperature	LGT-001 LGT-002	-10~+60 °C	Without Dewfall
	LGT-003	0~+60 °C	
Storage Temperature	-30~+70 °C	Without Dewfall	
Vibration *1	19.6 m/s ²	10~200Hz, X·Y·Z Each Direction 2h	
Protection Grade *1	IP44 Equivalent	When , Without Dewfall	

*1 Test Conditions

Note Specifications subject to change without notice.

HEIDENHAIN

<http://www.heidenhain.co.jp>

HEIDENHAIN K.K.

Hulic Kojimachi Bldg., 9F
3-2 Kojimachi , Chiyoda-ku,
Tokyo 102-0083 Japan

☎ +81 (0)3 3234 7781

☎ +81 (0)3 3262 2539